

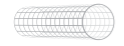


Chain Link



Mesh 50.0 mm
Diameter 2.50 mm
Fence Height 1800mm B + K
Roll Weight 34.2 Kg
Grade 316

Rolls: 10 m



SSCL 2.50 ----

Hexagonal Netting 12.7mm



Mesh 12.7 mm
Diameter 0.63 mm
Fence Height 915 mm
Roll Weight 12.5 Kg
Grade 316

Rolls: 30 m



SSWN 12.7 ----

Hexagonal Netting 25.4mm



Mesh 25.4 mm
Diameter 0.90mm
Fence Height 915 mm
Roll Weight 15 Kg
Grade 316

Rolls: 30 m



SSWN 25.4 ----

Hexagonal Netting 50.8mm



Mesh 50.8 mm
Diameter 1.25mm
Fence Height 915 mm
Roll Weight 14.6 Kg
Grade 316

Rolls: 30 m




SSWN 50.8 ----

Barbed Wire



Diameter 2.00 mm
Roll Weight 18 Kg
Grade 316

Rolls: 200 m



SSBW 2.00 ----

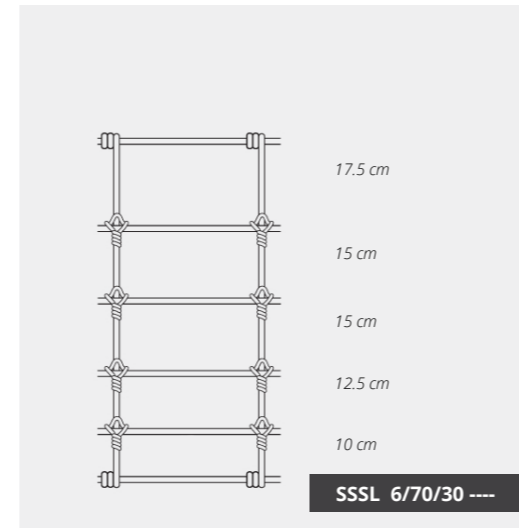
Fence Wire (soft)



Diameter 3.00 mm
Coil Length 375 m
Tensile 600-700 Mpa
Roll Weight 20.9 Kg
Grade 316


SSFW 3.00 ----

Strong Lock 6 / 70 / 30



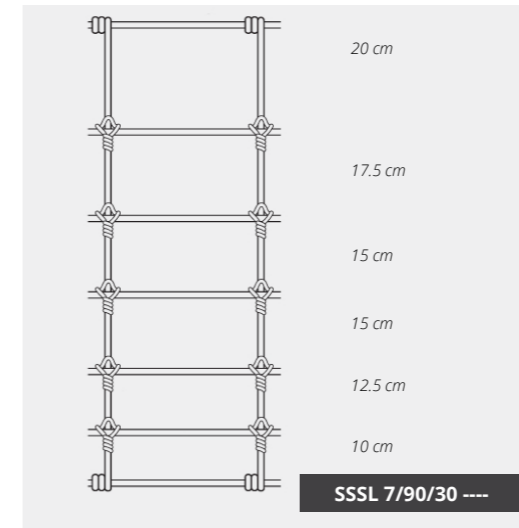
Fence 6 / 70 / 30
Picket & Line
Wire Diam 2.50 mm
No of Wires 6
Fence Height 700 mm
Picket Spacing 300 mm
Roll Weight 9.5 kg & 38 Kg
Grade 316

Rolls: 25 m & 100 m




SSSL 6/70/30 ----

Strong Lock 7 / 90 / 30




Fence 7 / 90 / 30
Picket & Line
Wire Diam 2.50 mm
No of Wires 7
Fence Height 900 mm
Picket Spacing 300 mm
Roll Weight 11 kg & 45 Kg
Grade 316


Rolls: 25 m & 100 m



SSSL 7/90/30 ----


You have made 'The Lasting Decision' and now it is time to evaluate 'The Lasting Look'.

 **Design & Install Considerations:**
Practical information for your consideration.

 **Cleaning, Care & Maintenance:**
Regular cleaning is recommended to prevent the build-up of contaminants such as dirt and salt.

Note: Rainwater is an effective natural cleaner, stainless steel that does not get rained upon will need more frequent cleaning.

Technical Information to assist with selection & specifying

 **Technical Data Sheets:**
Our Technical Data Sheets' will assist your decision and provide all your information needs, available on sswm.com.au.

Strong Lock



C Clips



Diameter 2.00 mm
Clips P/Bag 1000
Weight P/Bag 1 Kg
Grade 316

SSMC 19.00 ---